

# Heathfield&Co

## Product Specification Sheet

CEILING LIGHT | HALO



### PRODUCT INFORMATION

Base Code: PD-HALO-PBRS-WHTE

Material: Metal & Glass

Finish shown: White

Flex: UK & EU 1.5 metres of Chocolate twisted flex /  
US Chocolate twisted flex

### TECHNICAL INFORMATION

Weight: 1.5kg / 3.3lbs

Switching & Plug: Hardwired

Lamping: 1x G9 lampholder

40W max. LED lamps recommended.

Lamps not included

TOTAL HEIGHT: 2000 mm / 78<sup>3/4</sup>"

TOTAL WIDTH: 160 mm / 6<sup>1/4</sup>"

UKCA / CE / WIRED USING US COMPONENTS

### WARRANTY

10 years\*

### FINISHING NOTE

All metalwork is handcrafted and may vary from piece to piece with slight variation in finish and detailing.

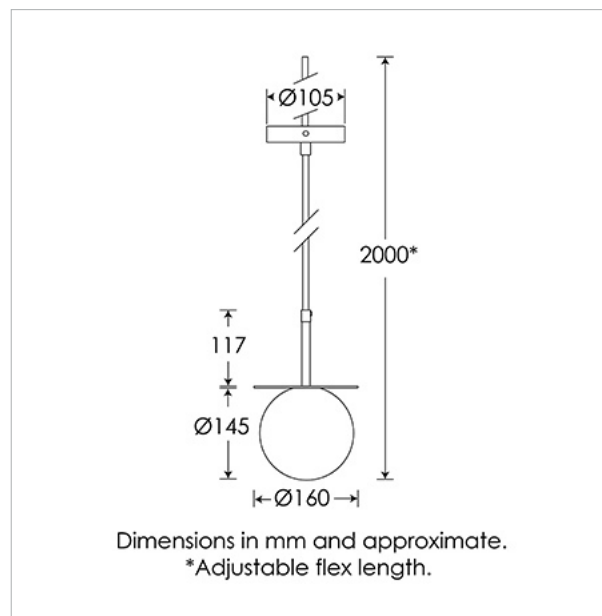
### CLEANING INSTRUCTIONS

The finishes on this luminaire only require regular cleaning with a soft dry duster. Abrasive or chemical cleaners may harm the finish and should not be used.

### FIXING NOTE

It is the buyer's responsibility to ensure that suitable fixings are used.

\*Please refer to our Terms & Conditions for further information.



H&  
CO

LIGHT BEYOND DESIGN