

Heathfield&Co

Product Specification Sheet

CEILING LIGHT | FLORENCE CHANDELIER ALABASTER



PRODUCT INFORMATION

Base Code: PD-FLOR-SBRS-ALAB-000

Material: Brass & Alabaster

Finish shown: White

Metalwork: Satin Brass

TECHNICAL INFORMATION

Weight: 25.8kg / 57lbs

Switching & Plug: Hardwired

Lamping: 8x E27 lampholder / 8x E26 US lampholder

25W max. LED lamps recommended.

Lamps not included

TOTAL HEIGHT: 1140mm/ 45^{1/4}"

TOTAL WIDTH: 815mm / 32"

UKCA / CE / WIRED USING US COMPONENTS

WARRANTY

10 years*

FINISHING NOTE

Alabaster is a natural material with distinctly unique formations, markings and colouration. It is part of its charm that no two lamps are exactly the same.

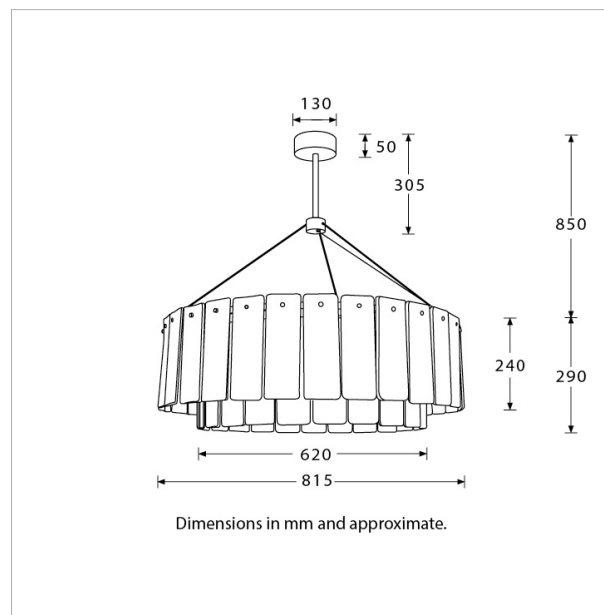
CLEANING INSTRUCTIONS

The finishes on this luminaire only require regular cleaning with a soft dry duster. Abrasive or chemical cleaners may harm the finish and should not be used.

FIXING NOTE

It is the buyer's responsibility to ensure that suitable fixings are used.

*Please refer to our Terms & Conditions for further information.



H&
CO

LIGHT BEYOND DESIGN

www.heathfield.co.uk | +44 (0) 1732 350450 | sales@heathfield.co.uk
Unit 1, Priory Road, Tonbridge, Kent, TN9 2AF, United Kingdom. This specification is subject to our standard Terms & Conditions, a copy of which can be found at heathfield.co.uk. © 2023 Heathfield & Co. All rights reserved.

Heathfield&Co

Product Specification Sheet

CEILING LIGHT | FLORENCE CHANDELIER SMOKE



PRODUCT INFORMATION

Base Code: PD-FLOR-SBRS-SMRI-000

Material: Brass & Glass

Finish shown: Smoked Ripple

Metalwork: Satin Brass

TECHNICAL INFORMATION

Weight: 28.8kg / 63.5lbs

Switching & Plug: Hardwired

Lamping: 8x E27 lampholder / 8x E26 US lampholder

25W max. LED lamps recommended.

Lamps not included

TOTAL HEIGHT: 1140mm/ 45^{1/4}"

TOTAL WIDTH: 815mm / 32"

UKCA / CE / WIRED USING US COMPONENTS

WARRANTY

10 years*

FINISHING NOTE

Our carefully selected glass and metalwork components are all hand finished by skilled artisans and as such no two products are exactly the same - something that adds to the unique charm of this product.

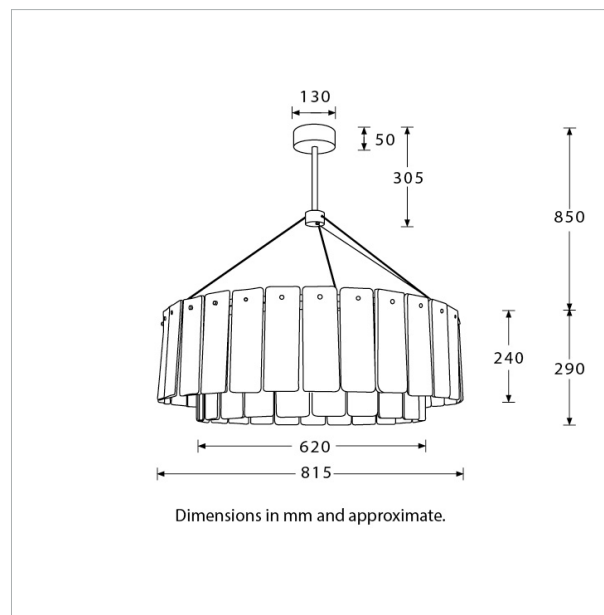
CLEANING INSTRUCTIONS

The finishes on this luminaire only require regular cleaning with a soft dry duster. Abrasive or chemical cleaners may harm the finish and should not be used.

FIXING NOTE

It is the buyer's responsibility to ensure that suitable fixings are used.

*Please refer to our Terms & Conditions for further information.



H&
CO

LIGHT BEYOND DESIGN