

Heathfield&Co

Product Specification Sheet

CEILING LIGHT | ESME DOUBLE STEM PENDANT



PRODUCT INFORMATION

Base Code: PD-ESME-BBRZ-FRCR-P02

Material: Glass

Finish shown: Frosted Crackle

Metalwork: Blackened Bronze

TECHNICAL INFORMATION

Weight: 5kg / 11 lbs

Switching & Plug: Hardwired

Lamping: Integrated LED 3000 Kelvin - 30W Mains

Dimmable Driver contained within the ceiling rose.

Lumen Output: Approx. 800Lm

TOTAL HEIGHT: 700 mm / 27.55 In

TOTAL WIDTH: 1300 mm / 51.18 In

UKCA / CE / WIRED USING US COMPONENTS

WARRANTY

10 years*

FINISHING NOTE

Our carefully selected glass and metalwork components are all hand finished by skilled artisans and as such no two products are exactly the same - something that adds to the unique charm of this product.

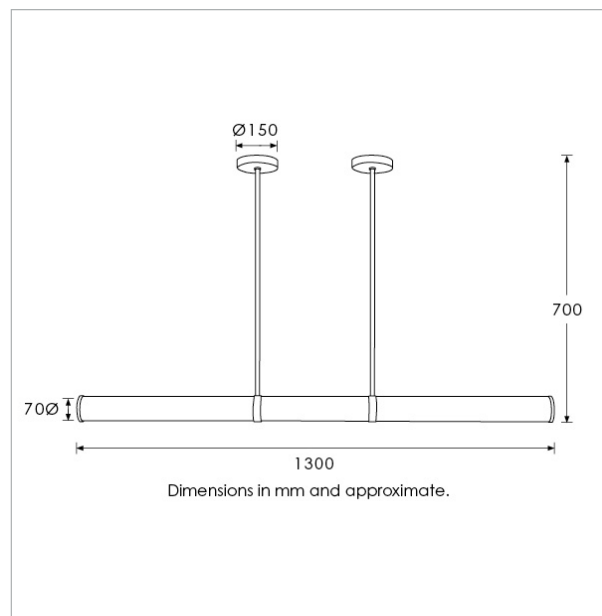
CLEANING INSTRUCTIONS

The finishes on this luminaire only require regular cleaning with a soft dry duster. Abrasive or chemical cleaners may harm the finish and should not be used.

FIXING NOTE

It is the buyer's responsibility to ensure that suitable fixings are used.

*Please refer to our Terms & Conditions for further information.



H&CO

LIGHT BEYOND DESIGN