

Heathfield&Co

Product Specification Sheet

CEILING LIGHT | COSMO BLACKENED BRONZE



PRODUCT INFORMATION

Base Code: PD-COSM-BRNZ-WHTE
Material: Brass & Glass
Metalwork: Blackened Bronze
Finish shown: White grain
Flex: UK & EU 1.5 metres of Black braided cable / US Black braided cable

TECHNICAL INFORMATION

Weight: 1.7kg / 3.7lbs
Switching & Plug: Hardwired
Lamping: 1x G9 lampholder
40W max. LED lamps recommended.
Lamps not included

TOTAL HEIGHT: 1670 mm / 65^{3/4}"
TOTAL WIDTH: 380 mm / 15"

UKCA / CE / WIRED USING US
COMPONENTS

WARRANTY

10 years*

FINISHING NOTE

Our carefully selected glass and metalwork components are all hand finished by skilled artisans and as such no two products are exactly the same - something that adds to the unique charm of this product.

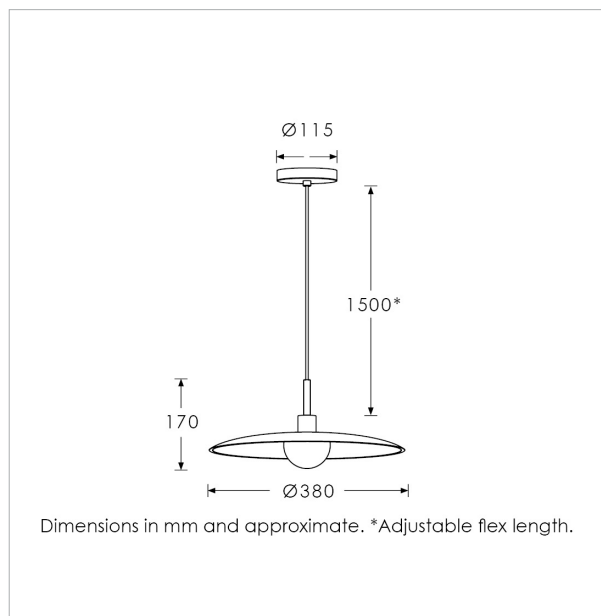
CLEANING INSTRUCTIONS

The finishes on this luminaire only require regular cleaning with a soft dry duster. Abrasive or chemical cleaners may harm the finish and should not be used.

FIXING NOTE

It is the buyer's responsibility to ensure that suitable fixings are used.

*Please refer to our Terms & Conditions for further information.



H&
CO

LIGHT BEYOND DESIGN

Heathfield&Co

Product Specification Sheet

CEILING LIGHT | COSMO SATIN BRASS



PRODUCT INFORMATION

Base Code: PD-COSM-SBRS-WHTE

Material: Brass & Glass

Metalwork: Satin Brass

Finish shown: White grain

Flex: UK & EU 1.5 metres of Hessian braided cable / US Hessian braided cable

TECHNICAL INFORMATION

Weight: 1.7kg / 3.7lbs

Switching & Plug: Hardwired

Lamping: 1x G9 lampholder

40W max. LED lamps recommended.

Lamps not included

TOTAL HEIGHT: 1670 mm / 65^{3/4}"

TOTAL WIDTH: 380 mm / 15"

UKCA / CE / WIRED USING US COMPONENTS

WARRANTY

10 years*

FINISHING NOTE

Our carefully selected glass and metalwork components are all hand finished by skilled artisans and as such no two products are exactly the same - something that adds to the unique charm of this product.

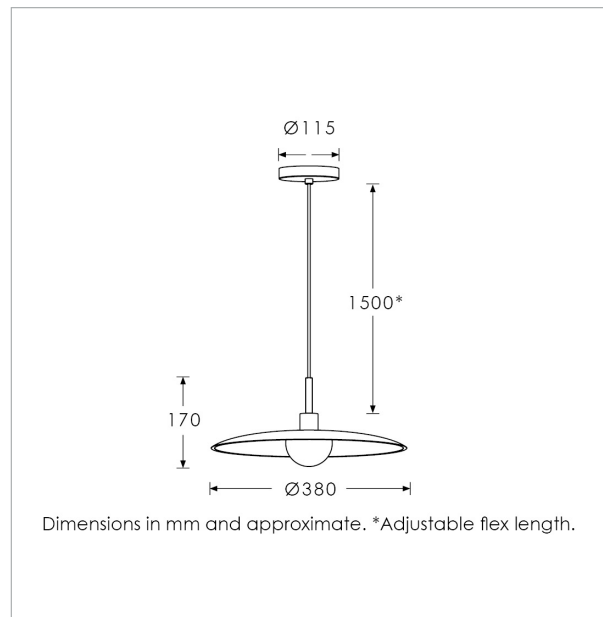
CLEANING INSTRUCTIONS

The finishes on this luminaire only require regular cleaning with a soft dry duster. Abrasive or chemical cleaners may harm the finish and should not be used.

FIXING NOTE

It is the buyer's responsibility to ensure that suitable fixings are used.

*Please refer to our Terms & Conditions for further information.



H&
CO

LIGHT BEYOND DESIGN