

# Heathfield&Co

## Product Specification Sheet

CEILING LIGHT | CODA



### PRODUCT INFORMATION

Base Code: PD-CODA-BRNZ-ANTI

Material: Glass & Metal

Finish shown: Mottled

Metalwork: Bronze

Flex: UK & EU 1.5 metres of Black braided flex /  
US Black braided flex

### TECHNICAL INFORMATION

Weight: 3.5kg / 7.7lbs

Switching & Plug: Hardwired

Lamping: Integrated LED. 2700k, includes 10W dimmable  
driver. Driver housed inside ceiling rose.

TOTAL HEIGHT: 2580 mm / 101<sup>1</sup>/<sub>2</sub>"

TOTAL WIDTH: 285 mm / 11<sup>1</sup>/<sub>4</sub>"

UKCA / CE / WIRED USING US COMPONENTS

### WARRANTY

10 years\*

### FINISHING NOTE

Our carefully selected glass and metalwork components are all hand finished by skilled artisans and as such no two products are exactly the same - something that adds to the unique charm of this product.

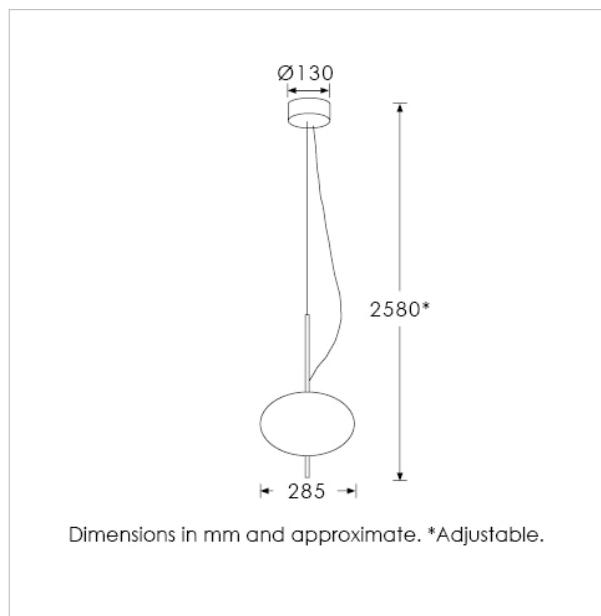
### CLEANING INSTRUCTIONS

The finishes on this luminaire only require regular cleaning with a soft dry duster. Abrasive or chemical cleaners may harm the finish and should not be used.

### FIXING NOTE

It is the buyer's responsibility to ensure that suitable fixings are used.

\*Please refer to our Terms & Conditions for further information.



H&  
CO

LIGHT BEYOND DESIGN