

Heathfield&Co

Product Specification Sheet

CEILING LIGHT | CARTER



PRODUCT INFORMATION

Base Code: PD-CART-SBRS-ANTI
Material: Metal, Glass & Wood
Metalwork: Satin Brass
Finish shown: Antique

TECHNICAL INFORMATION

Weight: 5.2kg / 11.4lbs
Switching & Plug: Hardwired
Lamping: 3x G9 lampholder
25W max. LED lamps recommended.
Lamps not included

TOTAL HEIGHT: 900 mm / 35^{1/2}"

TOTAL WIDTH: 950 mm / 37^{1/2}"

UKCA / CE

WARRANTY

10 years*

FINISHING NOTE

Our carefully selected glass and metalwork components are all hand finished by skilled artisans and as such no two products are exactly the same - something that adds to the unique charm of this product.

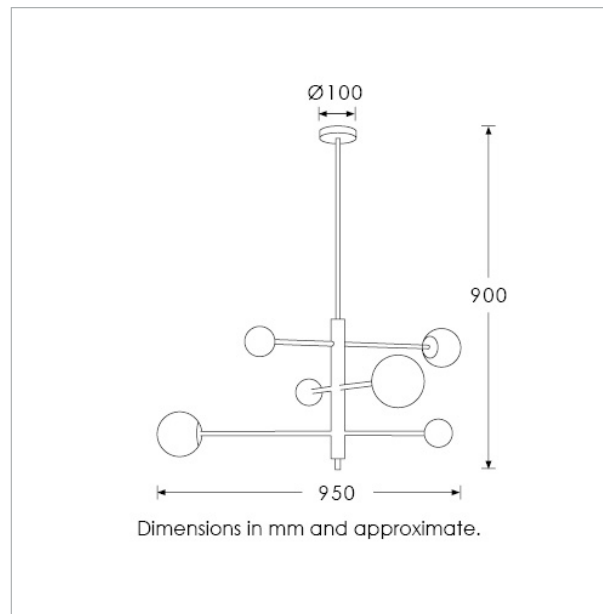
CLEANING INSTRUCTIONS

The finishes on this luminaire only require regular cleaning with a soft dry duster. Abrasive or chemical cleaners may harm the finish and should not be used.

FIXING NOTE

It is the buyer's responsibility to ensure that suitable fixings are used.

*Please refer to our Terms & Conditions for further information.



H&
CO

LIGHT BEYOND DESIGN