

# Heathfield&Co

## Product Specification Sheet

CEILING LIGHT | CAMI PENDANT



### PRODUCT INFORMATION

Base Code: PD-CAMI-WXBR-OPAL-000

Material: Brass & Glass

Finish shown: Matt Opal

Metalwork: Waxed Brass

### TECHNICAL INFORMATION

Weight: 7.9kg / 17.4lbs

Switching & Plug: Hardwired

Lamping: 10x G4 lampholder / 10x G4 US lampholder

20W max. LED lamps recommended.

Lamps not included

TOTAL HEIGHT: 1135mm / 44<sup>3</sup>/<sub>4</sub>"

TOTAL WIDTH: 1080mm / 42<sup>1</sup>/<sub>2</sub>"

UKCA / CE / WIRED USING US COMPONENTS

### WARRANTY

10 years\*

### FINISHING NOTE

Our carefully selected glass and metalwork components are all hand finished by skilled artisans and as such no two products are exactly the same - something that adds to the unique charm of this product.

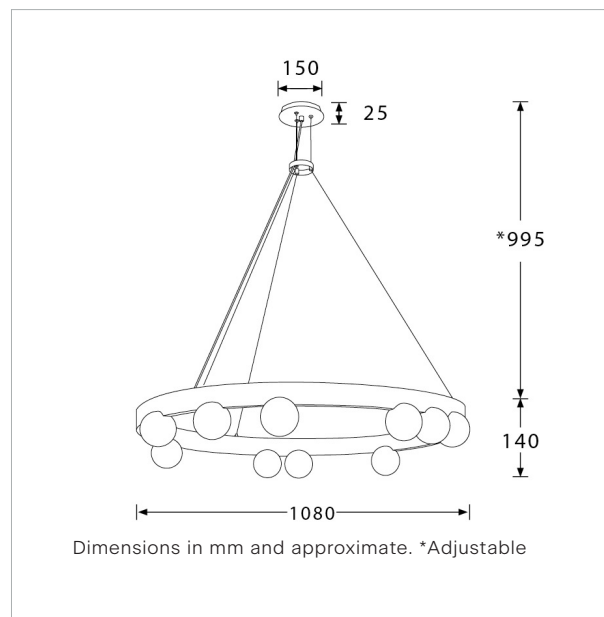
### CLEANING INSTRUCTIONS

The finishes on this luminaire only require regular cleaning with a soft dry duster. Abrasive or chemical cleaners may harm the finish and should not be used.

### FIXING NOTE

It is the buyer's responsibility to ensure that suitable fixings are used.

\*Please refer to our Terms & Conditions for further information.



H&  
CO

LIGHT BEYOND DESIGN

www.heathfield.co.uk | +44 (0) 1732 350450 | sales@heathfield.co.uk  
Unit 1, Priory Road, Tonbridge, Kent, TN9 2AF, United Kingdom. This specification is subject to our standard Terms & Conditions, a copy of which can be found at heathfield.co.uk. © 2023 Heathfield & Co. All rights reserved.