

Heathfield&Co

Product Specification Sheet

CEILING LIGHT | BELLE SMALL PENDANT



PRODUCT INFORMATION

Base Code: PD-BELL-BRON-AMBR-SML

Material: Bronze & Glass

Finish shown: Amber

Metalwork: Bronze

TECHNICAL INFORMATION

Weight: 4kg / 8.8lbs

Switching & Plug: Hardwired

Lamping: 6x G9 lampholder / 6x G9 US lampholder
25W max. LED lamps recommended.

Lamps not included

TOTAL HEIGHT: 900mm / 35¹/₂"

TOTAL WIDTH: 760mm / 30"

UKCA / CE / WIRED USING US COMPONENTS

WARRANTY

10 years*

FINISHING NOTE

Our carefully selected glass and metalwork components are all hand finished by skilled artisans and as such no two products are exactly the same - something that adds to the unique charm of this product.

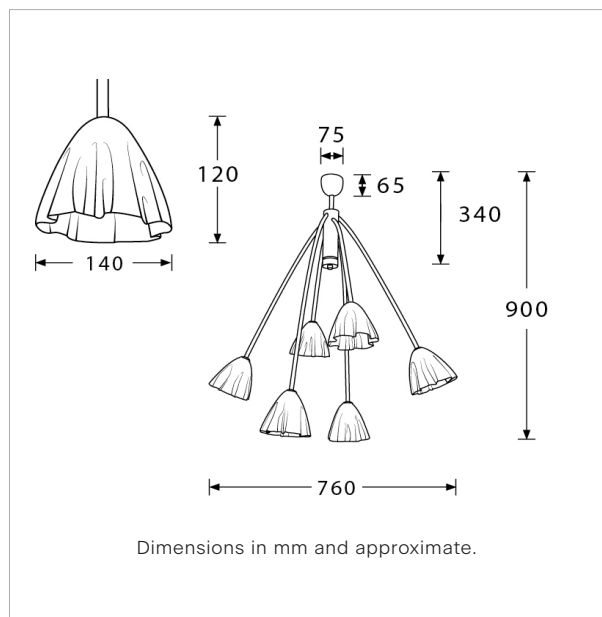
CLEANING INSTRUCTIONS

The finishes on this luminaire only require regular cleaning with a soft dry duster. Abrasive or chemical cleaners may harm the finish and should not be used.

FIXING NOTE

It is the buyer's responsibility to ensure that suitable fixings are used.

*Please refer to our Terms & Conditions for further information.



H&
CO

LIGHT BEYOND DESIGN

Heathfield&Co

Product Specification Sheet

CEILING LIGHT | BELLE SMALL SATIN BRASS PENDANT



PRODUCT INFORMATION

Base Code: PD-BELL-SBRS-SMOK-SML

Material: Brass & Glass

Finish shown: Smoke

Metalwork: Satin Brass

TECHNICAL INFORMATION

Weight: 4kg / 8.8lbs

Switching & Plug: Hardwired

Lamping: 6x G9 lampholder / 6x G9 US lampholder

25W max. LED lamps recommended.

Lamps not included

TOTAL HEIGHT: 900mm / 35¹/₂"

TOTAL WIDTH: 760mm / 30"

CEILING ROSE HEIGHT: 65mm / 2¹/₂"

CEILING ROSE WIDTH: 75mm / 3"

UKCA / CE / WIRED USING US COMPONENTS

WARRANTY

10 years*

FINISHING NOTE

Our carefully selected glass and metalwork components are all hand finished by skilled artisans and as such no two products are exactly the same - something that adds to the unique charm of this product.

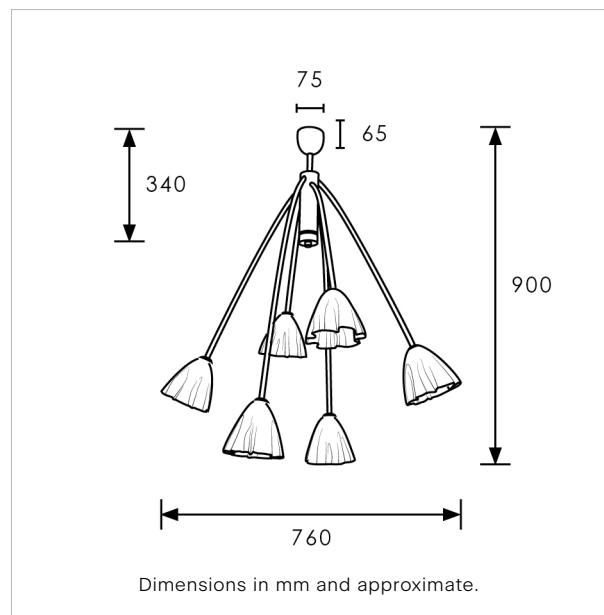
CLEANING INSTRUCTIONS

The finishes on this luminaire only require regular cleaning with a soft dry duster. Abrasive or chemical cleaners may harm the finish and should not be used.

FIXING NOTE

It is the buyer's responsibility to ensure that suitable fixings are used.

*Please refer to our Terms & Conditions for further information.



**H&
CO**

LIGHT BEYOND DESIGN

www.heathfield.co.uk | +44 (0) 1732 350450 | sales@heathfield.co.uk
Unit 1, Priory Road, Tonbridge, Kent, TN9 2AF, United Kingdom. This specification is subject to our standard Terms & Conditions, a copy of which can be found at heathfield.co.uk. © 2025 Heathfield & Co. All rights reserved.